

[54] TOY VEHICLE

D. 272,926 3/1984 Guinn D21/87

[75] Inventor: Joseph E. Johnston, San Rafael, Calif.

[73] Assignee: Lucasfilm, Ltd., San Rafael, Calif.

[**] Term: 14 Years

[21] Appl. No.: 429,767

[22] Filed: Sep. 30, 1982

[52] U.S. Cl. D21/87

[58] Field of Search D21/82, 86, 87, 88, D21/89, 90, 128; D12/72; 46/74 R, 74 A, 74 C, 76; 446/435, 460-470

[56] References Cited

U.S. PATENT DOCUMENTS

- D. 254,080 1/1980 Johnston D21/87
- D. 263,856 4/1982 Probert D21/87
- D. 267,025 11/1982 Lucas et al. D21/87

OTHER PUBLICATIONS

Toys & Novelties, 7-1968, p. 57, "Klingon" Space Vehicle.

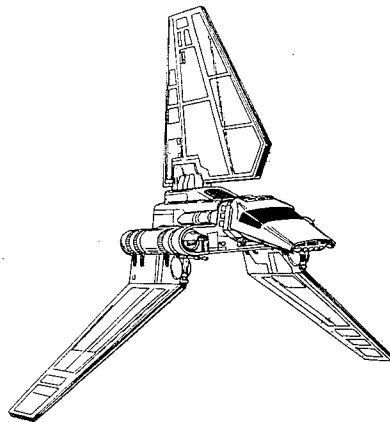
Primary Examiner—Charles A. Rademaker
Attorney, Agent, or Firm—Townsend and Townsend

[57] CLAIM

The ornamental design for the toy vehicle, as shown and described.

DESCRIPTION

FIG. 1 is a front perspective view of a toy vehicle showing my new design;
 FIG. 2 is a top perspective view thereof;
 FIG. 3 is a front perspective view thereof;
 FIG. 4 is a left side perspective view thereof, the side opposite being a mirror image;
 FIG. 5 is a rear perspective view thereof; and,
 FIG. 6 is a bottom perspective view thereof.



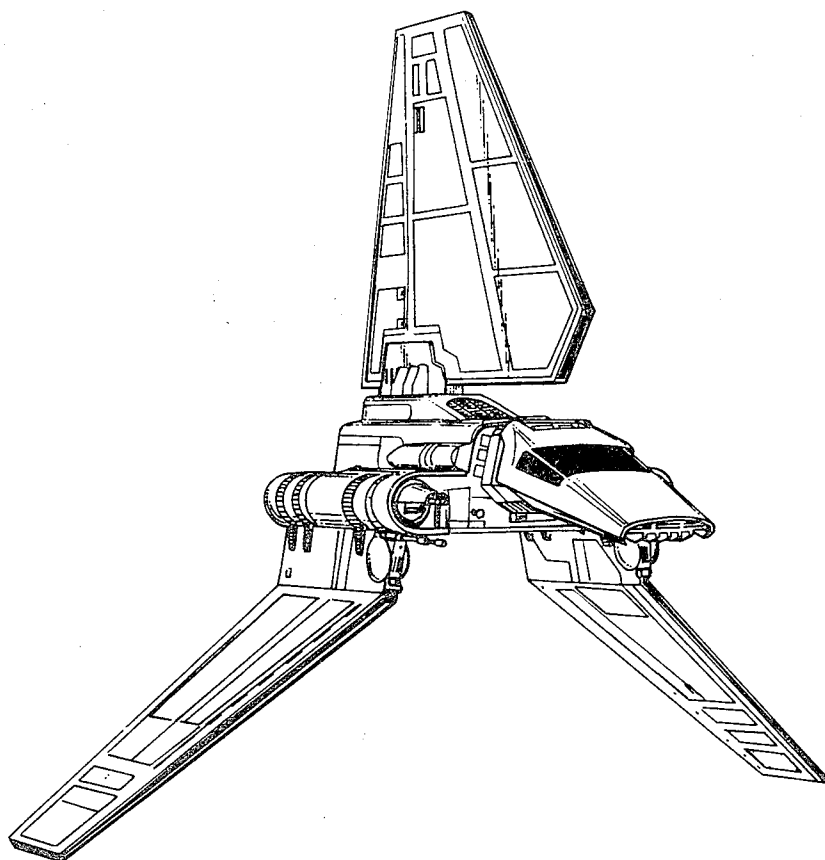


FIG. 1.

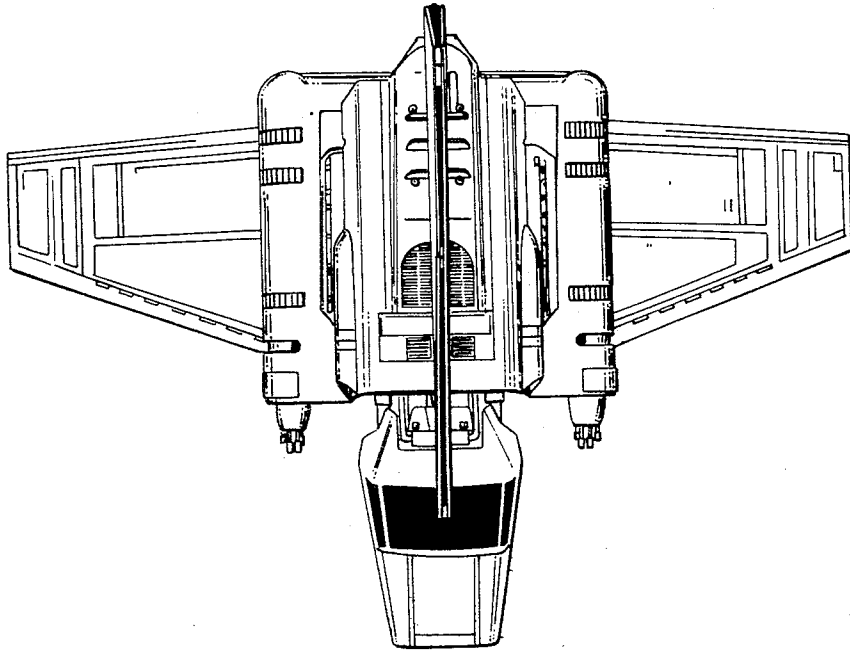


FIG. 2.

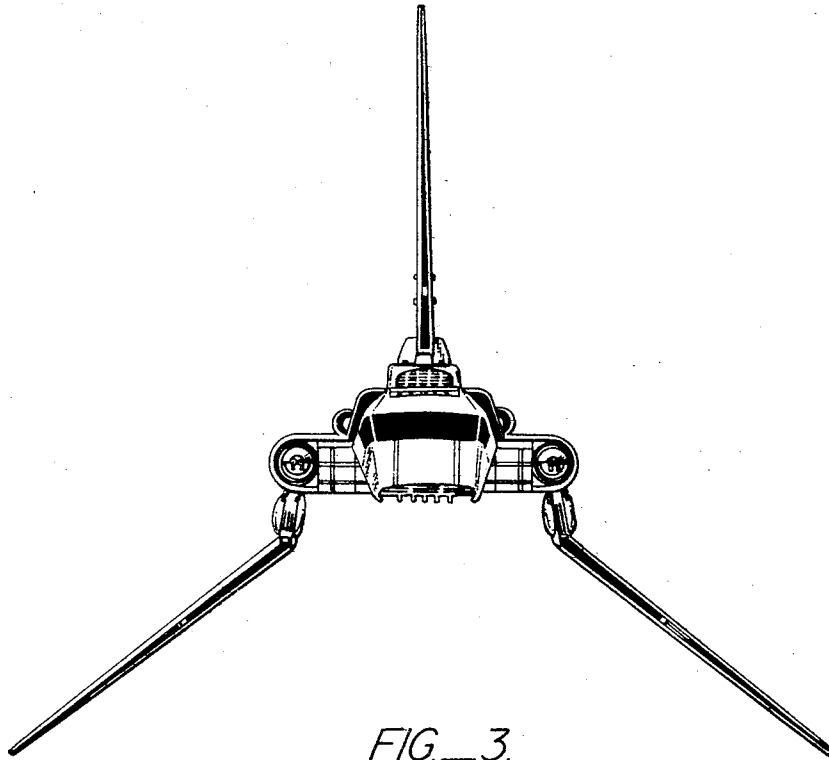


FIG. 3.

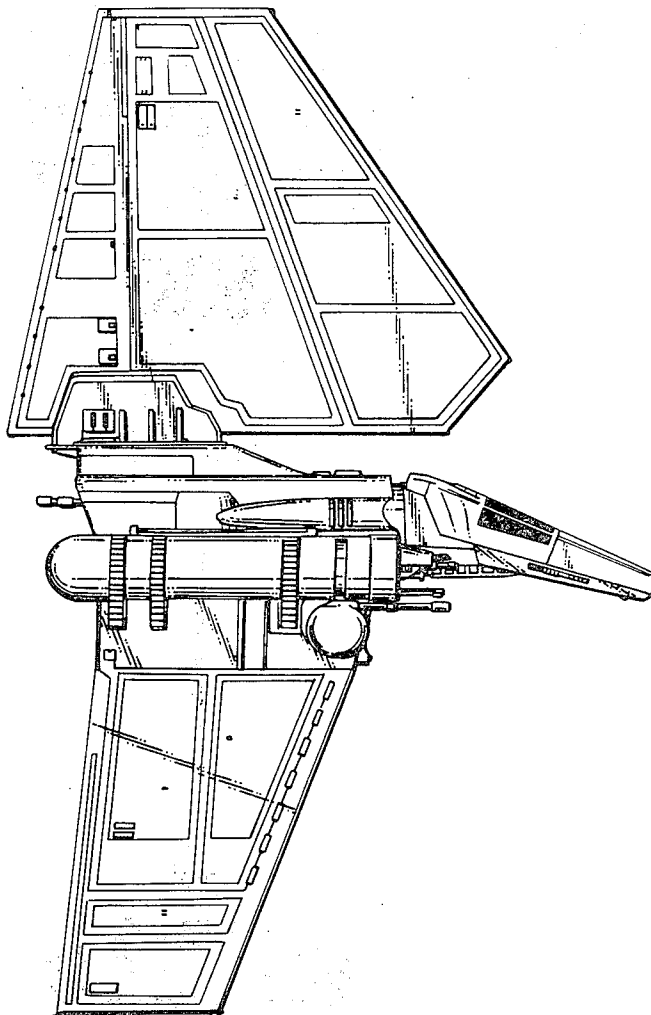


FIG. 4.

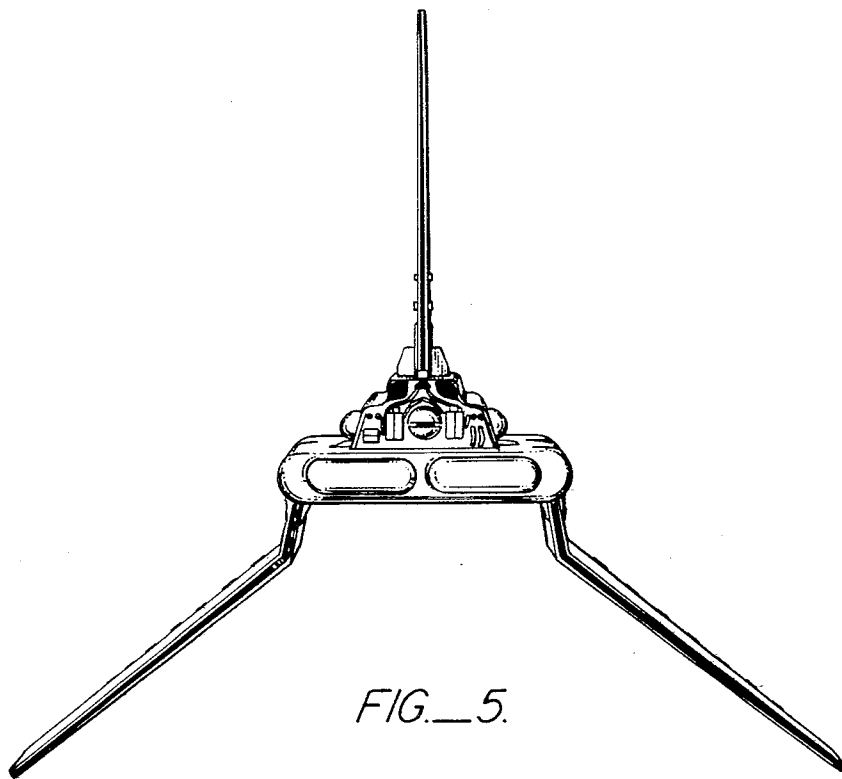


FIG. 5.

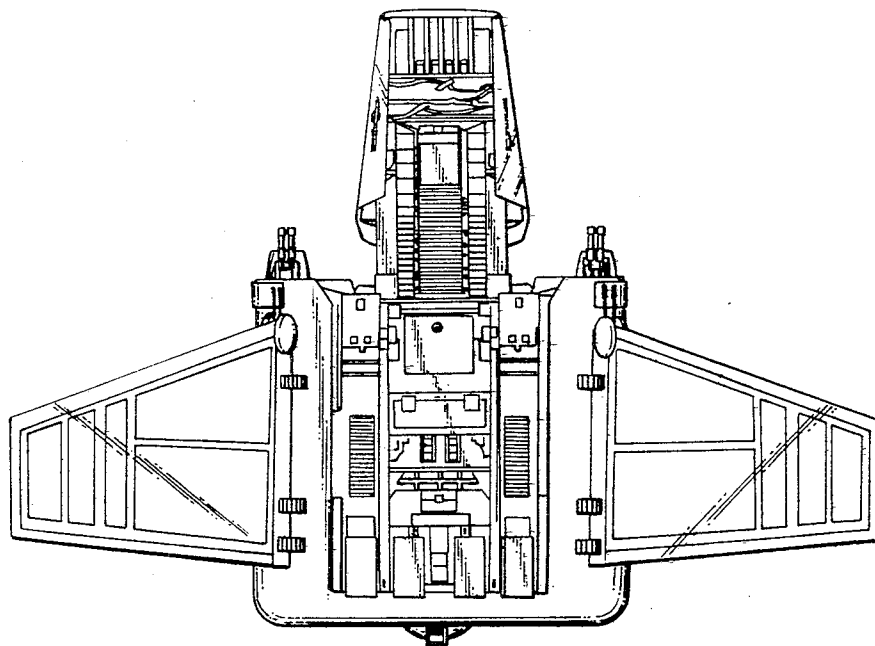


FIG. 6.